



## Slit Illumination Head



- **Solid metal construction.** Will last a lifetime.
- **Fiber optics illumination.** Bright, homogeneous light.
- **Multi-coated, scratch-resistant swivel lens with 2x magnification.** High-resolution image.
- **Slit instrument head.** Simplifies the use of instruments.
- **Double bayonet lock for specula.** Specula mounted firmly by double lock.
- **Simple open construction.** Easy to clean and disinfect with conventional solutions.

Slit Illumination Head	2.5V	3.5V
Slit Illumination Head with swivel lens	<b>G-001.21.301</b>	<b>G-002.21.301</b>
XHL Xenon Halogen spare bulb	<b>X-001.88.077</b>	<b>X-002.88.078</b>
Swivel lens		<b>G-000.21.209</b>

## Long, closed specula



For use with the Slit Illumination Head.

- **Metal construction, chrome-plated.** Easy to clean, disinfect and sterilize.
- **Matt internal surface.** Avoids reflexes.
- **Double bayonet lock for specula.** Firm mounting of specula to head.

### Closed specula for Slit Illumination Head

57 mm long / 4 mm dia.	<b>G-000.21.330</b>
65 mm long / 6 mm dia.	<b>G-000.21.331</b>
90 mm long / 7 mm dia.	<b>G-000.21.332</b>
150 mm long / 10 mm dia.	<b>G-000.21.350</b>

## Slit metal specula, open



For use with the Slit Illumination Head.

- **High-quality chrome-plated metal construction.** Easy to clean, disinfect and sterilize.
- **Matt internal surfaces.** Reduced reflexes.
- **60° opening with rounded edges.** Ideal for instrumentation, atraumatic insertion.
- **Double bayonet fitting.** Positive fit.

### Slit metal specula for Slit Illumination Head

65 mm long / 6 mm dia.	<b>G-000.21.341</b>
90 mm long / 7 mm dia.	<b>G-000.21.342</b>

### Short, closed specula



Ø5,5 mm    Ø4,5 mm    Ø 3,5mm



Ø2,8 mm    Ø 2,2mm

- ∴ For use with the Slit Illumination Head.
- ∴ Made of high-density SANALON S with a smooth external surface. Dust and germs are easily removed. Disinfection and autoclaving at up to 134°C is possible.
- ∴ Ergonomic shape. Painless atraumatic insertion.
- ∴ Integral metal ring with 2 bayonet locks. Firm mounting of specula to head.
- ∴ 40 mm long.

#### Short, closed SANALON S specula for Slit Illumination Head

1 set = 5 veterinary specula in SANALON S	G-000.21.316
40 mm long / 2.2 mm dia.	G-000.21.310
40 mm long / 2.8 mm dia.	G-000.21.311
40 mm long / 3.5 mm dia.	G-000.21.312
40 mm long / 4.5 mm dia.	G-000.21.313
40 mm long / 5.5 mm dia.	G-000.21.314

### HEINE UniSpec® disposable ear specula for VET Otoscopes

The adaptor illustrated is necessary when using UniSpec specula with the Slit Illumination Head.



Ø2,5mm    Ø4 mm



- ∴ No cleaning necessary. Saves time.
- ∴ Hygienic and safe. Eliminates cross-infection.
- ∴ Packed in units of 1000. Assures a competitive price.
- ∴ Original HEINE design and manufacture. Guaranteed good fit to the instrument head.

#### UniSpec disposable ear specula (grey)

Pack of 1000 UniSpec disposable specula 2.5 mm dia.	B-000.11.242
Pack of 1000 UniSpec disposable specula 4 mm dia.	B-000.11.241
Adaptor for use with Slit Illumination Head	G-000.21.302

### Spreadable speculum for Slit Illumination Head

This versatile instrument is widely used as a universal speculum for small animals.

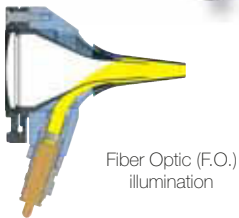


- ∴ For use with the Slit Illumination Head.
- ∴ High-quality, chrome-plated metal construction. Easy to clean, disinfect and sterilize.
- ∴ Distal jaw opens up to 28 mm with 4 click-stops. Useful for examination and therapy.
- ∴ Matt internal surfaces. Avoid reflexes.
- ∴ Oval branches with rounded edges. Ideal for instrumentation, atraumatic.
- ∴ 2 bayonet locks. Firm mounting of spreadable Speculum to head.

Spreadable speculum for Slit Illumination Head (95 mm long)	G-000.21.360
---	--------------



### HEINE BETA 200® Fiber Optic (F.O.) VET Otoscope

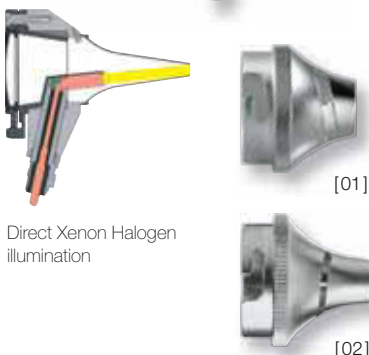


Solid, all-metal construction. A quality instrument for the Vet's office with Fiber Optic (F.O.) illumination. Large diameter viewing-window. Insufflation port. The swivel window features an airtight seal.

- ∴ **Distal Fiber Optic illumination.** Perfectly even illumination of auditory canal and tympanum.
- ∴ **Large, scratch-resistant glass viewing window with 2.5x magnification.** Unobstructed view, distortion-free image.
- ∴ **Integrated viewing window swivels to either side.** Provides space for instruments, the window is attached and cannot be mislaid.
- ∴ **Durable metal body, matt chrome-plated.** Unbreakable, long-life.
- ∴ **XHL Xenon Halogen Technology.** Extremely bright, white light.
- ∴ **For use with reusable SANALONS VET Specula.**

<b>BETA 200 VET Otoscope</b>	<b>2,5V</b>	<b>3,5V</b>
BETA 200 VET Otoscope, without specula	<b>G-001.21.250</b>	<b>G-002.21.250</b>
XHL Xenon Halogen spare bulb	<b>X-001.88.077</b>	<b>X-002.88.078</b>

### HEINE BETA 100® VET Otokop



Otoscope with all-metal construction and direct Xenon Halogen illumination. Suitable for use with short, closed specula. With the use of the VET adaptor, it is possible to fit reusable VET specula for ear examinations.

- ∴ **All-metal housing.** Exceptionally-tough and long-lasting.
- ∴ **XHL Xenon Halogen Technology.** Extremely bright, white light.
- ∴ **Large, scratch-resistant glass viewing window with 2.5x magnification.** Unobstructed view, distortion-free image.
- ∴ **Can be used with UniSpec ear specula (no adaptor required).** Versatile, useful for very small animals.

<b>BETA 100 VET Otoscope</b>	<b>2,5V</b>	<b>3,5V</b>
BETA 100 VET Otoscope head, without specula	<b>G-001.21.260</b>	<b>G-002.21.260</b>
XHL Xenon Halogen spare bulb	<b>X-001.88.037</b>	<b>X-002.88.049</b>
Adaptor for VET specula [01]		<b>G-000.21.214</b>
Adaptor for AllSpec specula [02]		<b>B-000.11.306</b>

## Reusable VET specula



9mm dia.      6mm dia.      4mm dia.

- **Made of high-density SANALON S with a smooth external surface.** Dust and germs are easily removed. Disinfection and autoclaving at up to 134°C is possible.
- **Ergonomic shape.** Atraumatic.
- **Convenient fixation system.** Positive fit to otoscope head.

### Reusable SANALON S specula

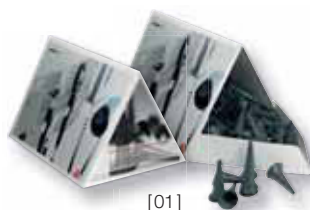
#### for BETA200 VET Otoscope

1 set = 3 reusable SANALON S specula	G-000.21.213
61 mm long / 4 mm dia.	G-000.21.210
61 mm long / 6 mm dia.	G-000.21.211
61 mm long / 9 mm dia.	G-000.21.212

## HEINE AllSpec® Disposable tips



Ø 2,5mm      Ø 4 mm



[01]



[02]

- **For single use.** Hygienic, no cross-infection.
- **Original HEINE design.** Firm fit to the otoscope head.
- **Assured quality.** No sharp edges.

### AllSpec Disposable tips (grey)

#### for BETA200, K180, mini 3000, mini 3000 F.O. Otoscopes

Pack of 1000 pcs. 2.5 mm dia. (infants)	B-000.11.128
Pack of 1000 pcs. 4 mm dia. (adults)	B-000.11.127
Case of 10 dispenser packs of 250 tips, 2.5 mm dia (infants) [01]	B-000.11.151
Case of 10 dispenser packs of 250 tips, 4 mm dia (adults)	B-000.11.150
AllSpec Tip-dispenser [02]	B-000.11.148

**The right size, visible and instantly available.** A clean new tip for each and every patient.

## Insufflation Bulb



- **For pneumatic testing.**

Insufflation bulb	B-000.11.240
-------------------	--------------



HEINE Veterinary Diagnostic Sets

Set complete: **Slit illumination head**, 1 set = long, closed specula (57 x 4 mm, 65 x 6 mm, 90 x 7 mm), 1 spare bulb, in hard case with:



Veterinary Diagnostic Sets	2.5V	3.5V (NiMH)	3.5V
BETA battery handle	<b>G-112.10.118</b>		
BETA R rechargeable handle		<b>G-112.20.376</b>	<b>G-112.27.376</b>
BETA TR rechargeable handle and transformer		<b>G-112.20.384</b>	<b>G-112.27.384</b>
BETA NT rechargeable handle and NT 300 charger		<b>G-112.20.420</b>	
BETA L rechargeable handle and NT 300 charger			<b>G-112.29.420</b>

Set complete: **Slit illumination head, BETA 200 Ophthalmoscope**, 1 set long, closed specula (57 x 4 mm, 65 x 6 mm, 90 x 7 mm), 1 spare bulb for each instrument, in hard case with:



Veterinary Diagnostic Sets	2.5V	3.5V (NiMH)	3.5V
BETA battery handle	<b>G-148.10.118</b>		
BETA R rechargeable handle		<b>G-148.20.376</b>	<b>G-148.27.376</b>
BETA TR rechargeable handle and transformer		<b>G-148.20.384</b>	<b>G-148.27.384</b>
BETA NT rechargeable handle and NT 300 charger		<b>G-148.20.420</b>	
BETA L rechargeable handle and NT 300 charger			<b>G-148.29.420</b>

: Rechargeable handle with charge status display in the bottom insert.

## HEINE Veterinary Diagnostic Sets



Set complete: **Slit illumination head, BETA 200 Ophthalmoscope**, 5 short, closed specula in SANALON S, 10 UniSpec disposable ear specula with adaptor, 1 set = 4 long, closed specula (57 x 4 mm, 65 x 6 mm, 90 x 7 mm, 150 x 10 mm), 2 slit specula, spreadable speculum, 1 spare bulb for each instrument, in hard case with:

Veterinary Diagnostic Sets	2.5V	3.5V (NiMH)	3.5V
BETA battery handle	<b>G-150.10.118</b>		
BETA R rechargeable handle		<b>G-150.20.376</b>	<b>G-150.27.376</b>
BETA TR rechargeable handle and transformer		<b>G-150.20.384</b>	<b>G-150.27.384</b>
BETA NT rechargeable handle and NT 300 charger		<b>G-150.20.420</b>	
BETA L rechargeable handle and NT 300 charger			<b>G-150.29.420</b>



Set complete: **BETA 200 Ophthalmoscope, BETA 200 VET Otoscope**, reusable SANALONS VET specula, 1 spare bulb for each instrument, in zipper case with:

Veterinary Diagnostic Sets	2.5V	3.5V (NiMH)	3.5V
BETA battery handle	<b>G-151.10.118</b>		
BETA R rechargeable handle		<b>G-151.20.376</b>	<b>G-151.27.376</b>
BETA TR rechargeable handle and transformer		<b>G-151.20.384</b>	<b>G-151.27.384</b>
BETA NT rechargeable handle and NT 300 charger		<b>G-151.20.420</b>	
BETA L rechargeable handle and NT 300 charger			<b>G-151.29.420</b>

: Rechargeable handle with charge status display in the bottom insert.